



Chassis Number: F

Order Number: AU-

Project-Number: PR-

Client:

File Name: Biomat_SE_2022_800x800

Last Change: 21.09.2021 14:32

Last Print: 21.09.2021 14:32

\$HeadURL: svn://flsv-eni2/ENI3/Kunden/Dosierer/Biogas_2022/Biomat_SE_2022_800x800.sch \$

\$LastChangedBy: zaffral \$

\$LastChangedDate: 2021-09-21 13:48:57 +0200 (Di, 21 Sep 2021) \$

\$LastChangedRevision: 23199 \$

\$Id: Biomat_SE_2022_800x800.sch 23199 2021-09-21 11:48:57Z zaffral \$

Biomat Standard (3 Motoren/Schnecken)

File name: Biomat_SE_2022_800x800

Job Number: AU-

Project Nb.: PR-

Article Nb.:

Ser. Nb.:

Schrank Biomat SE

Ass.Var:
PCB-Item Nb.: 000000

Blatt 1 von 23

Katalog-Nr.:



Kunde:

Datum 14.09.2021

Bearb. zaffral

Gepr.

Norm

| | | | |
|----------------|------------|---------|------|
| Extern Signale | 14.09.2021 | zaffral | |
| Anderung | Datum | Name | Norm |

1

2

3

4

5

6

7

| | | | | | | | |
|---|--|---|---|---|---|---|---|
| | 1 | 2 | 3 | 4 | 5 | 6 | 7 |
| A | Sheet 001: Biomat Standard (3 Motoren/Schnecken) | | | | | | |
| | Sheet 002: Index | | | | | | |
| | Sheet 003: cable colours | | | | | | |
| | Sheet 004: overview motors | | | | | | |
| | Sheet 005: electric feed | | | | | | |
| B | Sheet 006: electrical cabinet heating/cooling | | | | | | |
| | Sheet 007: Multimix / FU | | | | | | |
| | Sheet 008: hydraulics | | | | | | |
| | Sheet 009: control outputs | | | | | | |
| | Sheet 010: disturbances | | | | | | |
| C | Sheet 011: current measurement / 4-20mA output | | | | | | |
| | Sheet 012: external signals | | | | | | |
| | Sheet 013: external inputs | | | | | | |
| | Sheet 014: current measurement | | | | | | |
| | Sheet 015: safety relay | | | | | | |
| D | Sheet 016: voltage distribution 24V | | | | | | |
| | Sheet 017: external display | | | | | | |
| | Sheet 018: Load cell / Radio | | | | | | |
| | Sheet 019: touch panel | | | | | | |
| E | Sheet 020: mechanical parts | | | | | | |
| | Sheet 021: part list | | | | | | |
| | Sheet 022: part list | | | | | | |
| | Sheet 023: part list | | | | | | |
| F | | | | | | | |
| | | | | | | | |
| G | | | | | | | |
| | | | | | | | |
| H | | | | | | | |

| | | | | |
|----------------|------------|---------|-------|------------|
| Extern Signale | 14.09.2021 | zaffral | Datum | 14.09.2021 |
| Anderung | Datum | Name | Gepr. | zaffral |
| | | | Norm | |

Katalog-Nr.:
Kunde:



Index

File name: Biomat_SE_2022_800x800
 Job Number: AU-
 Project Nb.: PR-
 Article Nb.:
 Ser. Nb.:

Schrank Biomat SE
 Ass.Var:
 PCB-Item Nb.: 000000
 Blatt 2 von 23

wiring colours

| | |
|-----------------------------|-----------------------------|
| brown | power 230V AC |
| red | +24VDC control voltage |
| black <= 1,5mm ² | GND 0VDC control voltage |
| orange | optional |
| light blue | neutral conductor |
| green/yellow | protectiv conductor |
| purple | emergency-stop circuit +24V |
| green | control circuit |
| purple/white | emergency-stop circuit GND |
| black >= 2,5mm ² | power 400V AC / 230V AC |
| white | CAN High RS485 B/D+ |
| blue | CAN Low RS485 A/D- |

| | | | |
|-------|--------|---|----------------------------|
| Litze | 457842 | — | H0_5V-K_DUNKELBLAU |
| Litze | 458006 | — | H0_5V-K_DUNKELBLAU/WEISS |
| Litze | 457845 | — | H0_5V-K_GELB/GRUEN-1QMM |
| Litze | 457841 | — | H0_5V-K_HELLBLAU-1QMM |
| Litze | 457843 | — | H0_5V-K_ORANGE-1QMM |
| Litze | 457840 | — | H0_5V-K_SCHWARZ-1QMM |
| Litze | 457189 | — | H0_7V-K10_GELB/GRUEN-10QMM |
| Litze | 439146 | — | H0_7V-K_SCHWARZ-10QMM |
| Litze | 439148 | — | H0_7V-K_SCHWARZ-2,5QMM |
| AEH1 | 439719 | ▲ | 1X0,5QMM_L=8MM_WEISS |
| AEH2 | 439713 | ▲ | 1X1QMM_L=8MM_ROT |
| AEH3 | 439709 | ▲ | 1X2,5QMM_L=8MM_BLAU |
| AEH4 | 439708 | ▲ | 1X10QMM_L=12MM_ROT |
| AEH5 | 439712 | ▲ | 2X1QMM_L=8MM_ROT |
| AEH6 | 439703 | ▲ | 2X10QMM_L=14MM_ROT |
| FSH1 | 442141 | ■ | FLACHSTECKHUELSEN_0,5-1QMM |
| KSH1 | 463192 | Ⓞ | PRESSKABELSCHUH_M8 |

cable colours

| | | |
|--------------|------------------------|----------------------------------|
| File name: | Biomat_SE_2022_800x800 | Schrank Biomat SE |
| Job Number: | AU- | |
| Project Nb.: | PR- | |
| Article Nb.: | | |
| Ser. Nb.: | | Ass.Var: PCB-Item Nb.: 000000 |



| | | | | |
|----------------|------------|---------|-------|------------|
| Extern Signale | 14.09.2021 | zaffral | Datum | 14.09.2021 |
| Anderung | Datum | Name | Gepr. | zaffral |
| | | | Norm | |

| | |
|--------------|--|
| Katalog-Nr.: | |
| Kunde: | |

motors overview

| Motor | Function | Power | Current | ref. page |
|-------|-------------------|--------|---------|-----------|
| M1 | conveyor screw 1 | 3,6 kW | 7,5 A | /8.3G |
| M2 | conveyor screw 2 | 5,5 kW | 11,5 A | /8.4G |
| M3 | conveyor screw 3 | 6,1 kW | 12,2 A | /8.5G |
| M4 | conveyor expanded | 3,0 kW | 6,25 A | /8.6G |
| M5 | hydraulics | 4,0 kW | 8,8 A | /8.1G |
| M6 | Multimix | 24,2kW | 51,5 A | /7.2G |

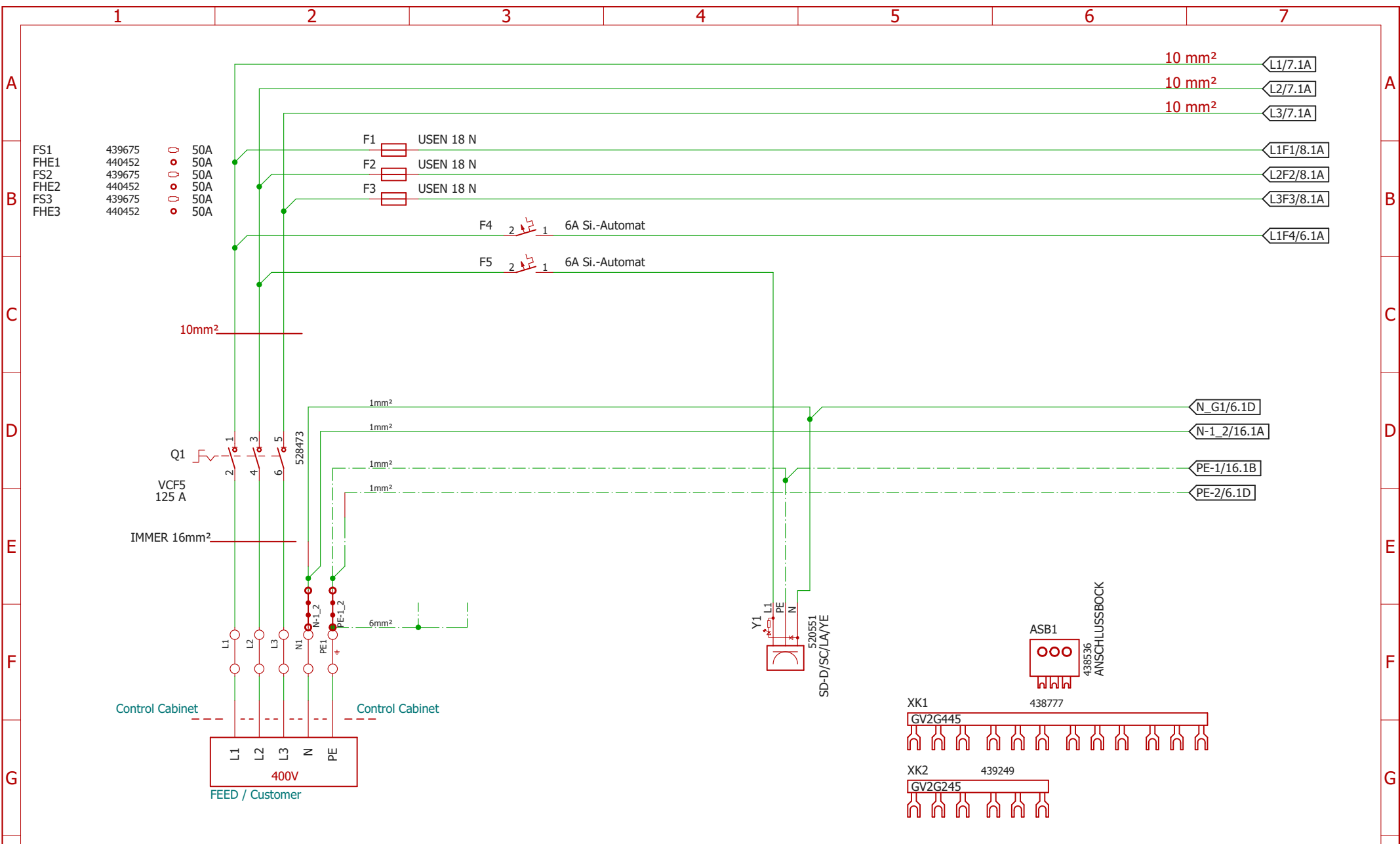
| | |
|-----------------------|-------------------------|
| Connected Load | 46.40 kW 97.75 A |
|-----------------------|-------------------------|

| | | | | |
|----------------|------------|---------|--------|------------|
| | | | Datum | 14.09.2021 |
| | | | Bearb. | zaffral |
| Extern Signale | 14.09.2021 | zaffral | Gepr. | |
| Anderung | Datum | Name | Norm | |

Katalog-Nr.:
Kunde:



| | | | |
|------------------------|------------------------|-------------------|----------------|
| overview motors | | Schrank Biomat SE | |
| File name: | Biomat_SE_2022_800x800 | | |
| Job Number: | AU- | | |
| Project Nb.: | PR- | | |
| Article Nb.: | | | |
| Ser. Nb.: | | | |
| Ass.Var: | | | |
| PCB-Item Nb.: | 000000 | | Blatt 4 von 23 |



| | | | |
|------|--------|---|-----|
| FS1 | 439675 | ○ | 50A |
| FHE1 | 440452 | ○ | 50A |
| FS2 | 439675 | ○ | 50A |
| FHE2 | 440452 | ○ | 50A |
| FS3 | 439675 | ○ | 50A |
| FHE3 | 440452 | ○ | 50A |

| | |
|----|-----------|
| F1 | USEN 18 N |
| F2 | USEN 18 N |
| F3 | USEN 18 N |

F4 2 1 1 6A Si.-Automat

F5 2 1 1 6A Si.-Automat

- 10 mm² L1/7.1A
- 10 mm² L2/7.1A
- 10 mm² L3/7.1A

- L1F1/8.1A
- L2F2/8.1A
- L3F3/8.1A
- L1F4/6.1A

- N_G1/6.1D
- N-1_2/16.1A
- PE-1/16.1B
- PE-2/6.1D

| | | | | |
|----------------|------------|---------|-------|------------|
| Extern Signale | 14.09.2021 | zaffral | Datum | 14.09.2021 |
| Anderung | Datum | Name | Gepr. | zaffral |
| | | | Norm | |

Katalog-Nr.:
Kunde:



electric feed

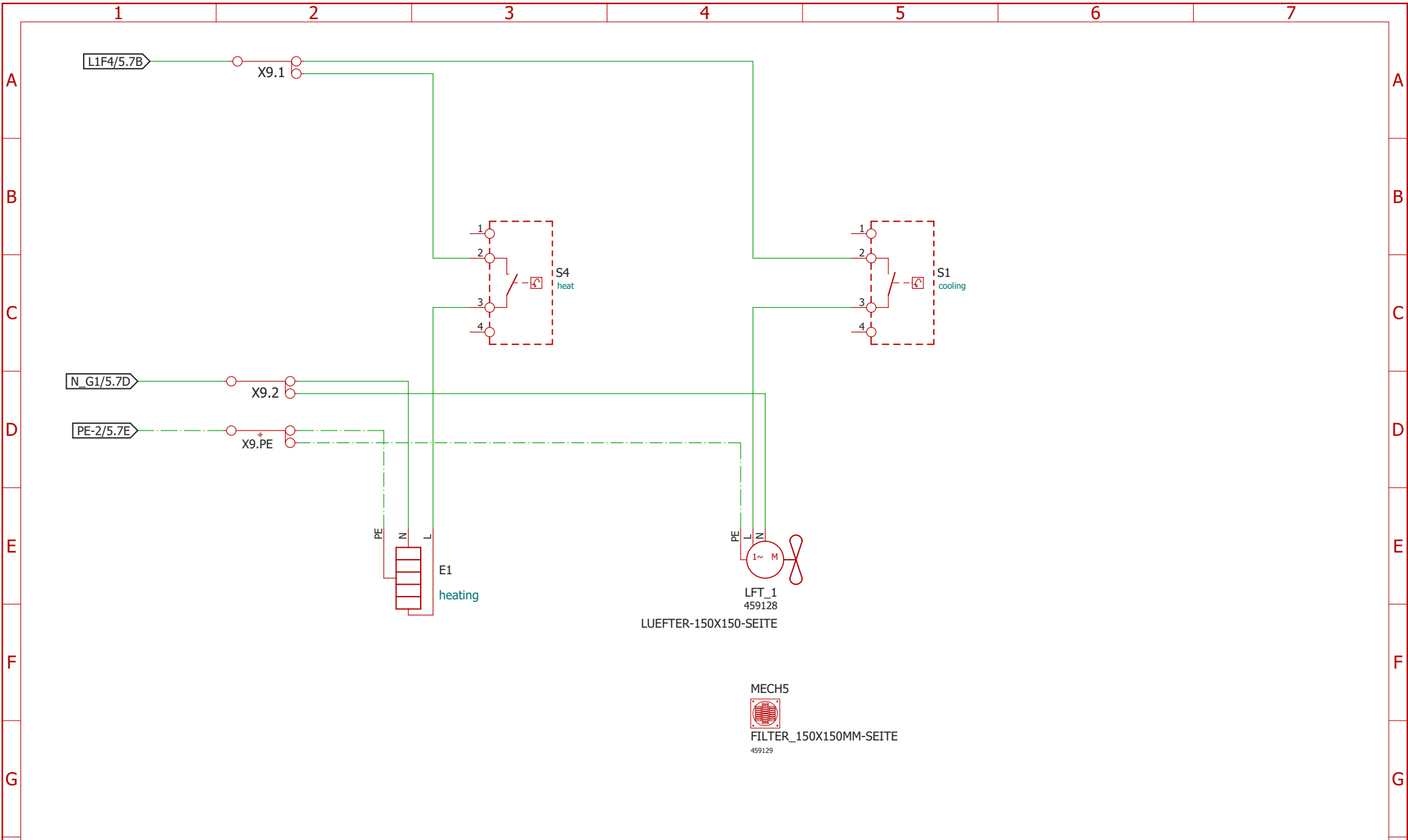
File name: Biomat_SE_2022_800x800

Job Number: AU-
Project Nb.: PR-
Article Nb.:
Ser. Nb.:

Schrank Biomat SE

Ass.Var:
PCB-Item Nb.: 000000

Blatt 5 von 23



electrical cabinet heating/cooling

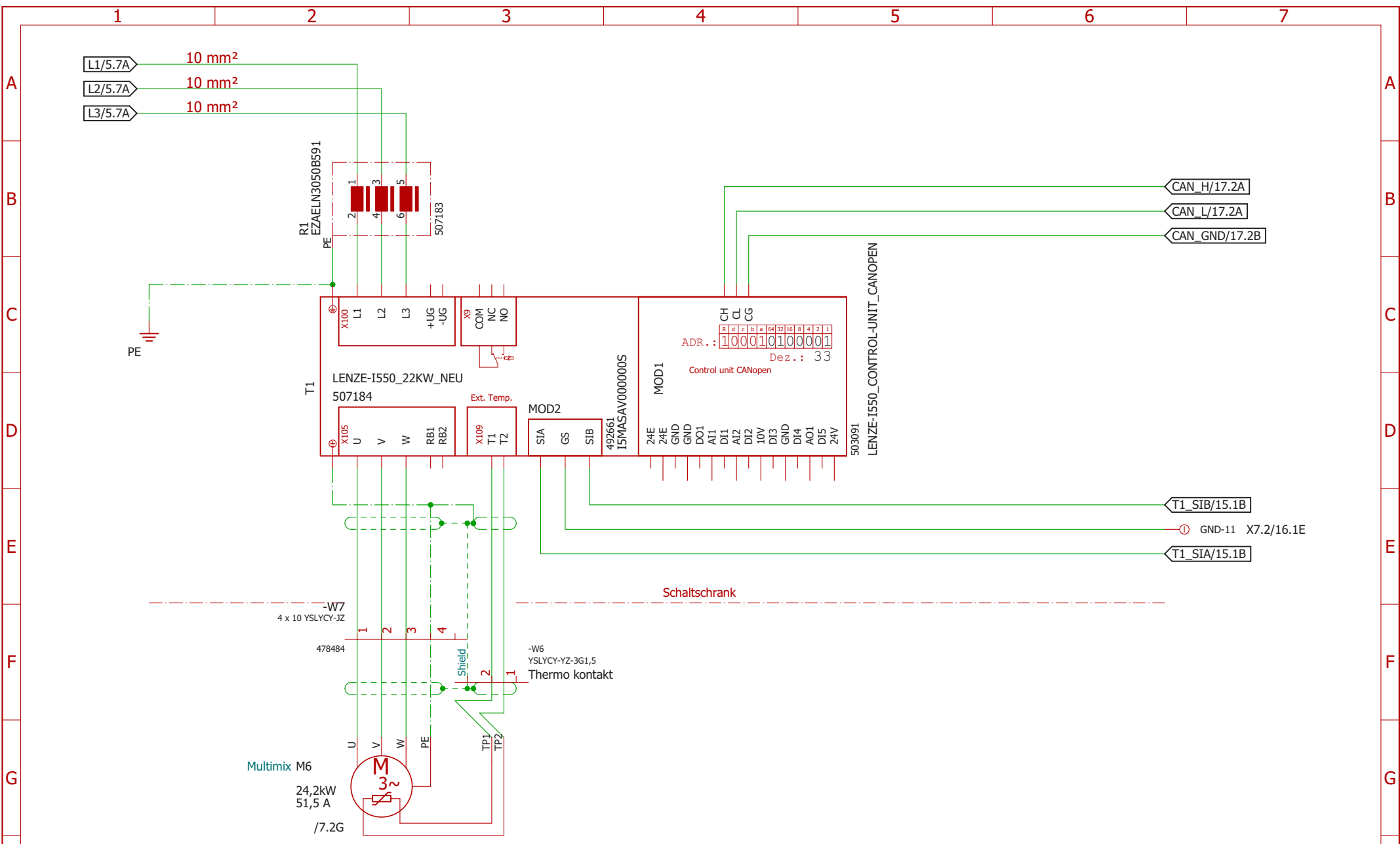
| | | | | |
|----------------|------------|---------|-------|------------|
| Extern Signale | 14.09.2021 | zaffral | Datum | 14.09.2021 |
| Anderung | Datum | Name | Gepr. | zaffral |
| | | | Norm | |

Katalog-Nr.:
Kunde:



File name: Biomat_SE_2022_800x800
Job Number: AU-
Project Nb.: PR-
Article Nb.:
Ser. Nb.:

Schrank Biomat SE
Ass.Var:
PCB-Item Nb.: 000000
Blatt 6 von 23



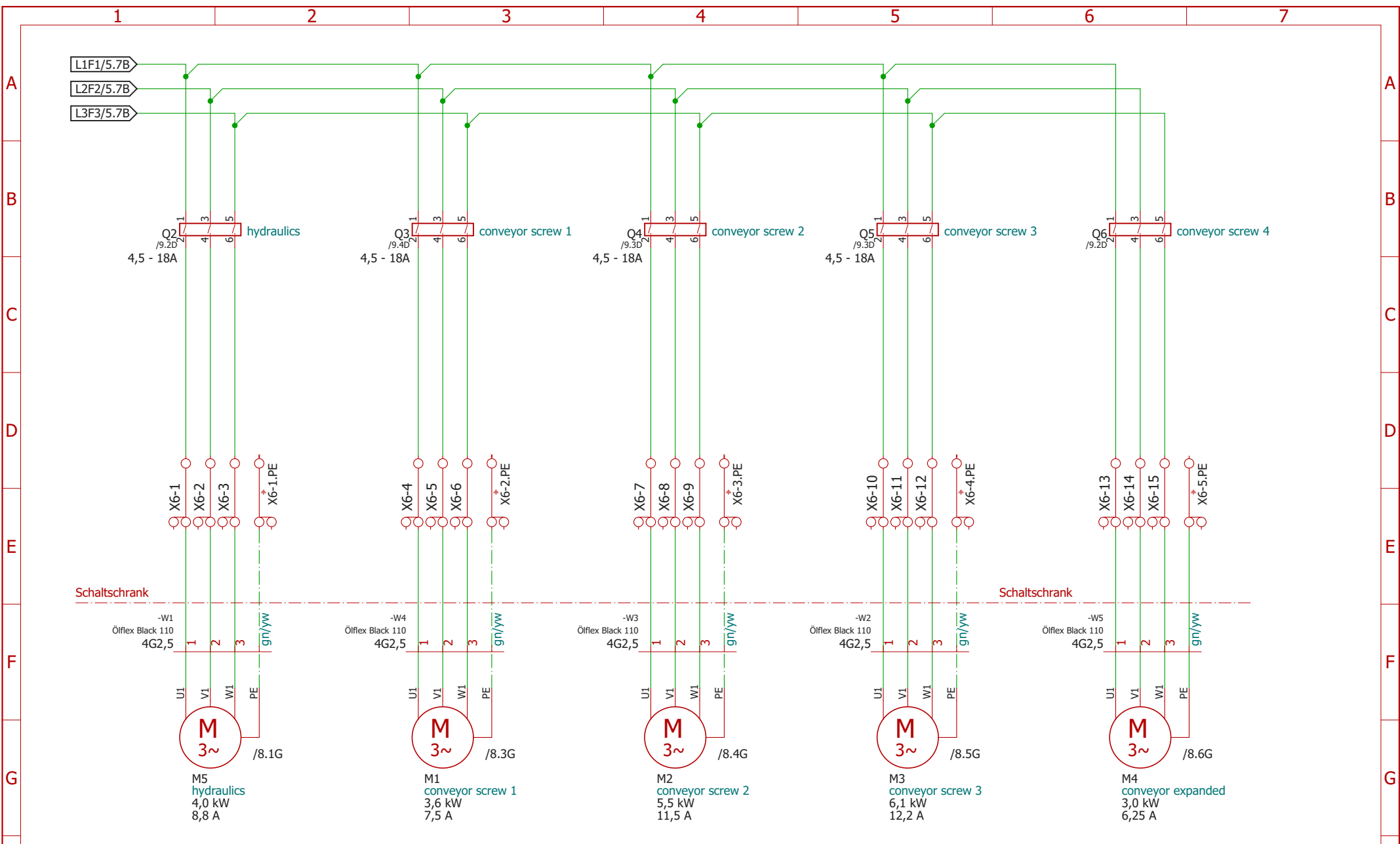
| | | | | |
|----------------|------------|---------|-------|------------|
| Extern Signale | 14.09.2021 | zaffral | Datum | 14.09.2021 |
| Anderung | Datum | Name | Gepr. | zaffral |
| | | | Norm | |

Katalog-Nr.:
Kunde:



Multimix / FU
File name: Biomat_SE_2022_800x800
Job Number: AU-
Project Nb.: PR-
Article Nb.:
Ser. Nb.:

Schrank Biomat SE
Ass.Var:
PCB-Item Nb.: 000000
Blatt 7 von 23



| | | | | |
|----------------|------------|---------|-------|------------|
| Extern Signale | 14.09.2021 | zaffral | Datum | 14.09.2021 |
| Anderung | Datum | Name | Gepr. | zaffral |
| | | | Norm | |

Katalog-Nr.:
Kunde:



hydraulics

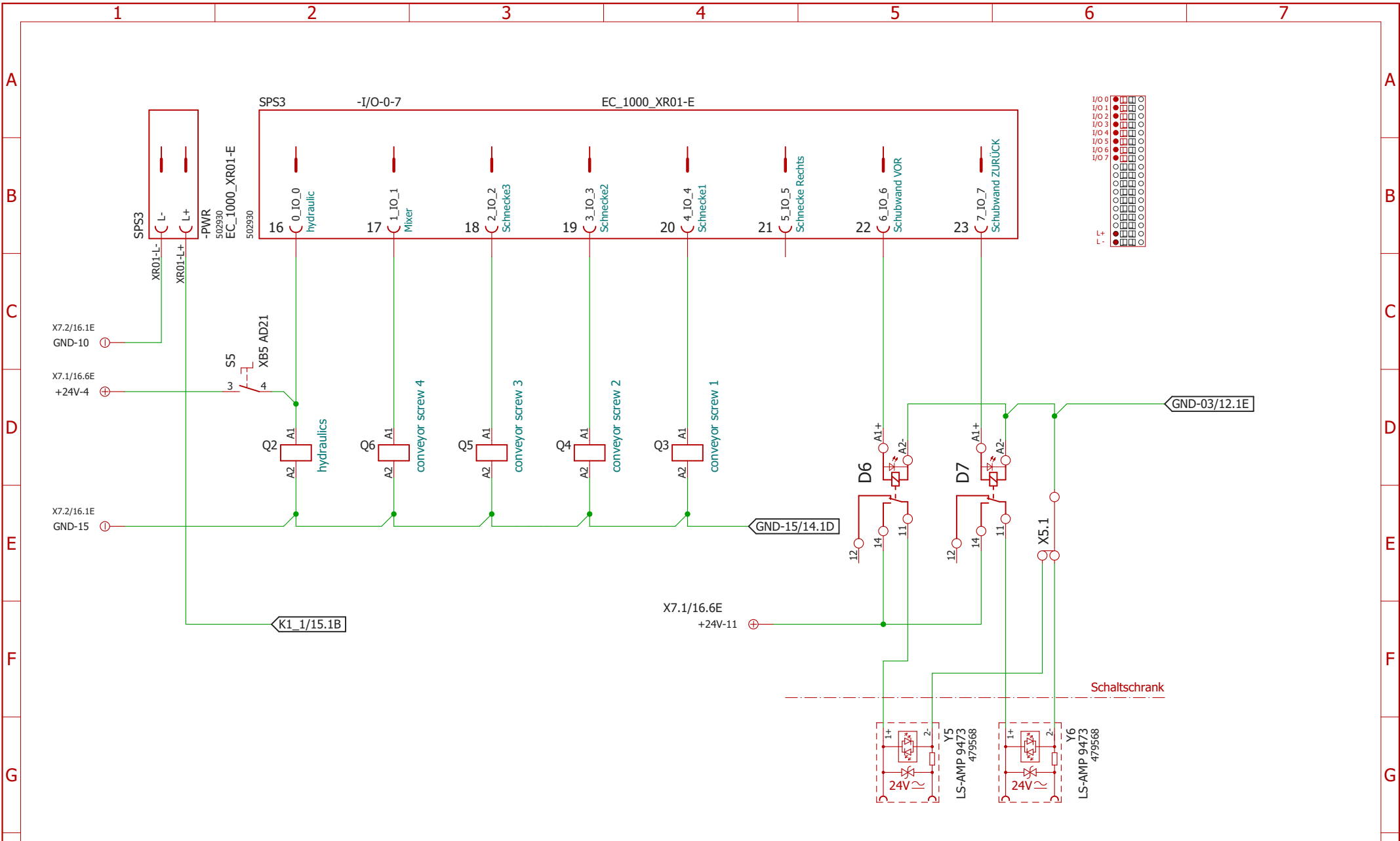
File name: Biomat_SE_2022_800x800

Job Number: AU-
Project Nb.: PR-
Article Nb.:
Ser. Nb.:

Schrank Biomat SE

Ass.Var:
PCB-Item Nb.: 000000

Blatt 8 von 23



| | | | | |
|----------------|------------|---------|-------|------------|
| Extern Signale | 14.09.2021 | zaffral | Datum | 14.09.2021 |
| Anderung | Datum | Name | Gepr. | zaffral |
| | | | Norm | |

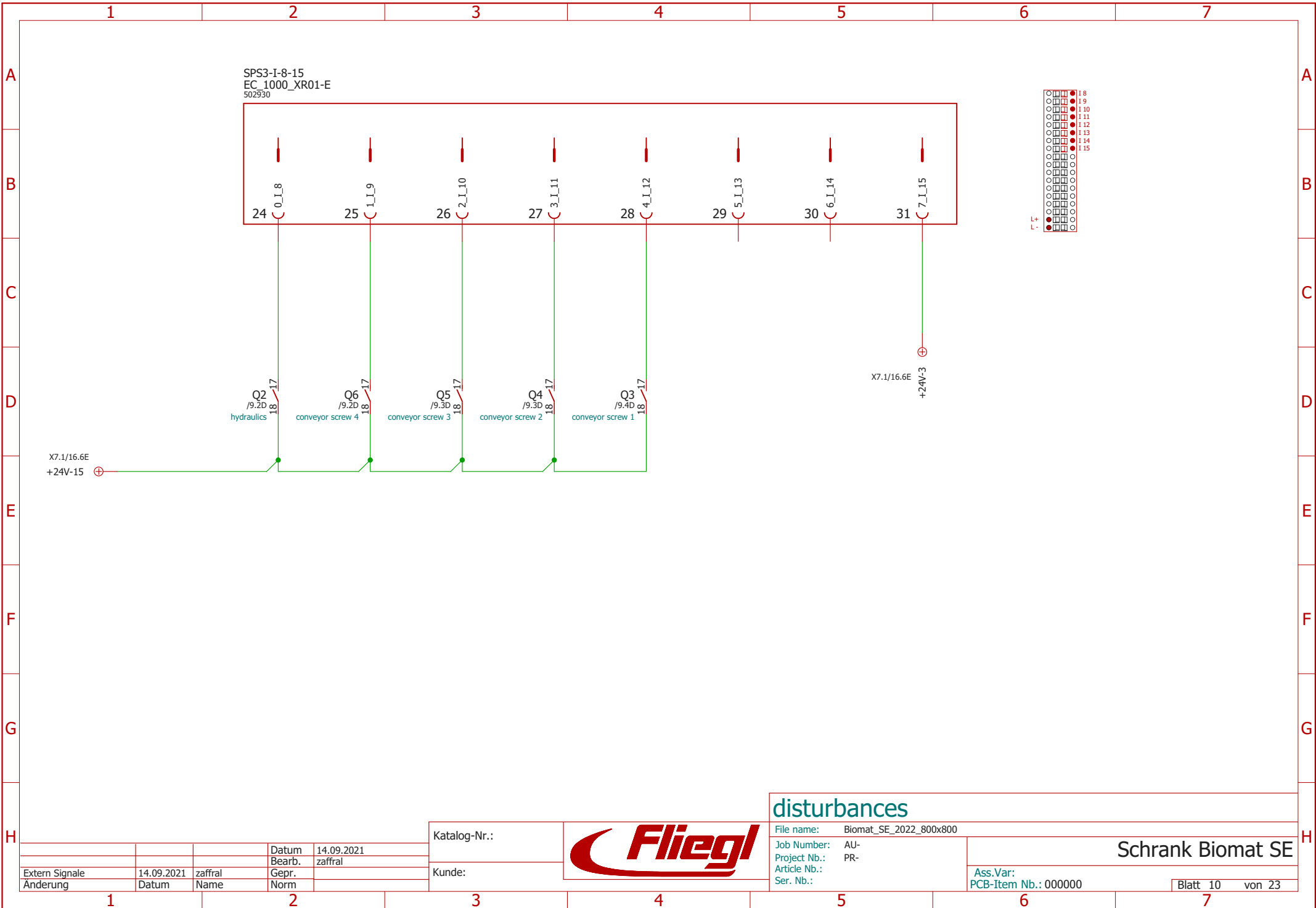
Katalog-Nr.:
Kunde:



control outputs

File name: Biomat_SE_2022_800x800
 Job Number: AU-
 Project Nb.: PR-
 Article Nb.:
 Ser. Nb.:

Schrank Biomat SE
 Ass.Var:
 PCB-Item Nb.: 000000
 Blatt 9 von 23



| | | | | |
|----------------|------------|---------|-------|------------|
| Extern Signale | 14.09.2021 | zaffral | Datum | 14.09.2021 |
| Anderung | Datum | Name | Gepr. | zaffral |
| | | | Norm | |

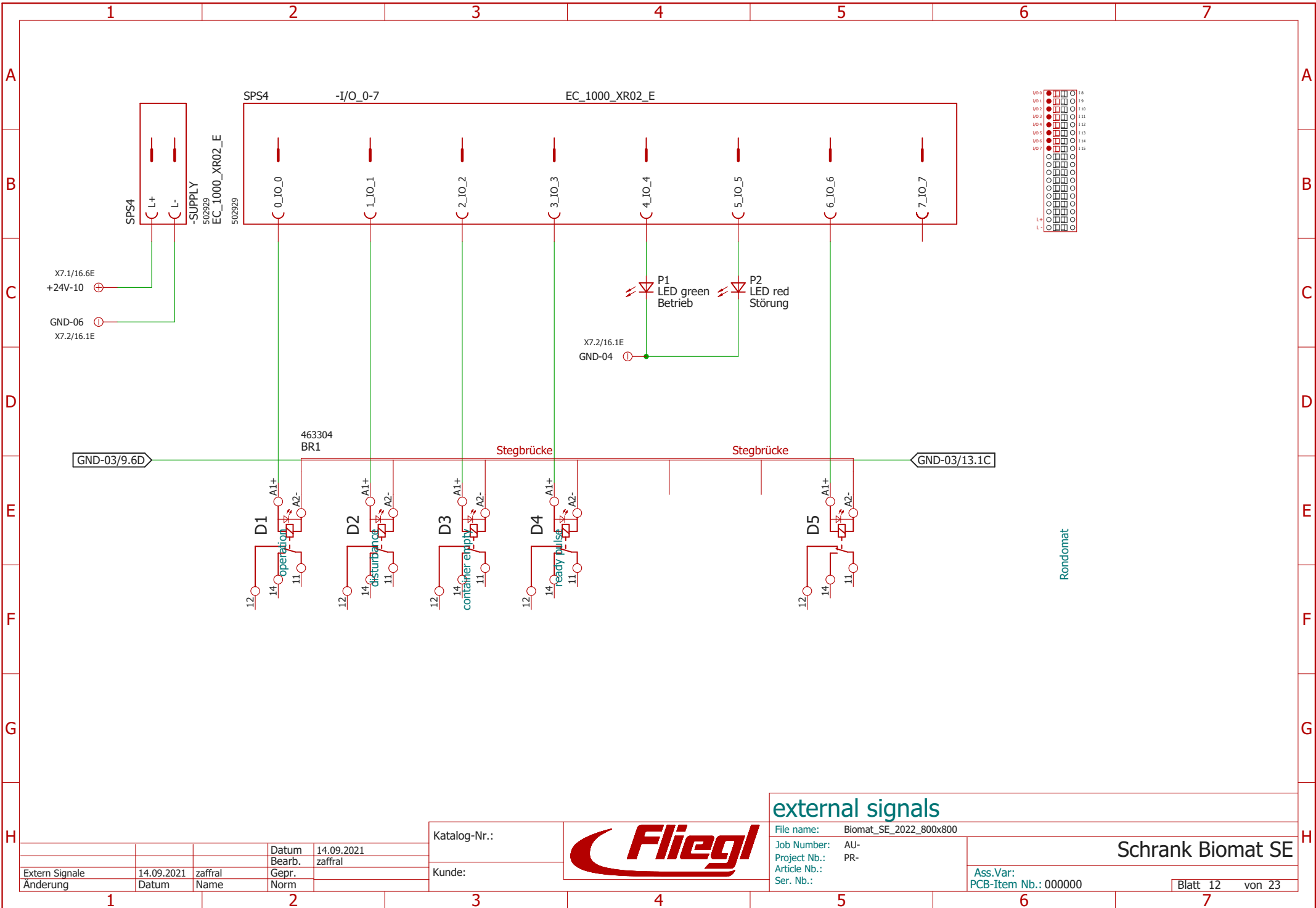
Katalog-Nr.:
Kunde:



disturbances

File name: Biomat_SE_2022_800x800
Job Number: AU-
Project Nb.: PR-
Article Nb.:
Ser. Nb.:

Schrank Biomat SE
Ass.Var:
PCB-Item Nb.: 000000
Blatt 10 von 23



| | | | | |
|----------------|------------|---------|-------|------------|
| Extern Signale | 14.09.2021 | zaffral | Datum | 14.09.2021 |
| Anderung | Datum | Name | Gepr. | zaffral |
| | | | Norm | |

Katalog-Nr.:
Kunde:

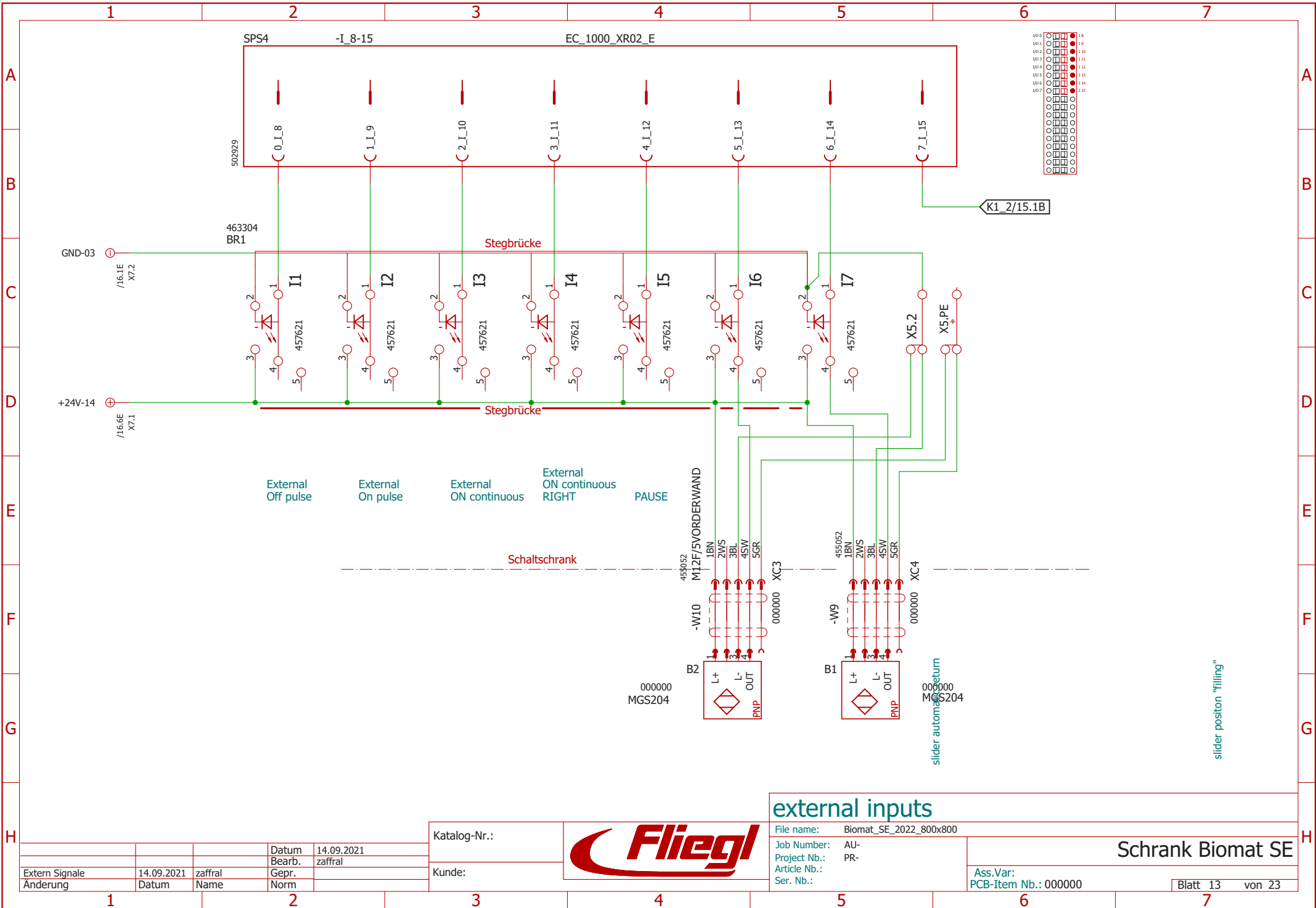


external signals

File name: Biomat_SE_2022_800x800
 Job Number: AU-
 Project Nb.: PR-
 Article Nb.:
 Ser. Nb.:

Schrank Biomat SE

Ass.Var:
 PCB-Item Nb.: 000000



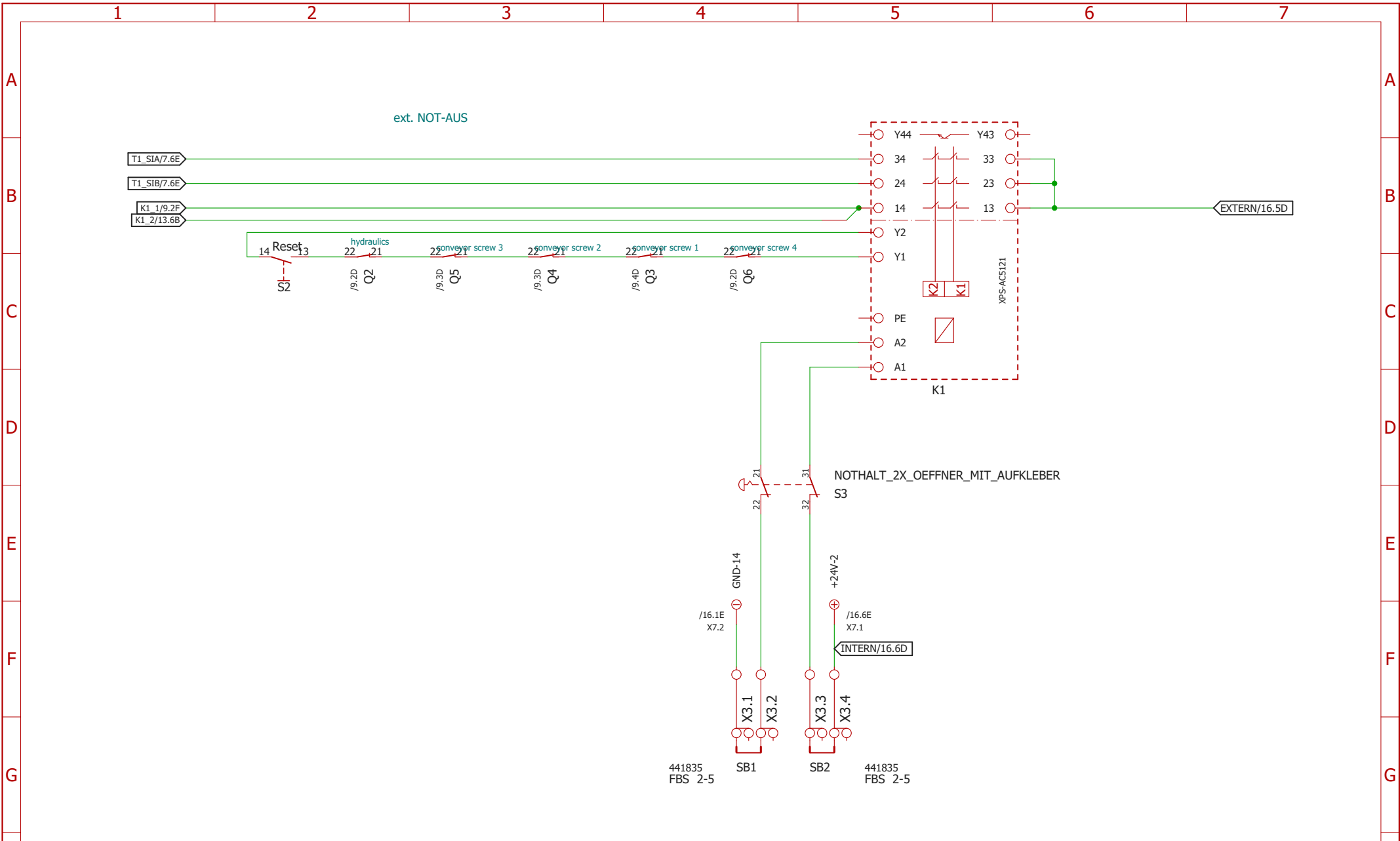
| | | | | |
|----------------|------------|---------|-------|------------|
| Extern Signale | 14.09.2021 | zaffral | Datum | 14.09.2021 |
| Anderung | Datum | Name | Gepr. | zaffral |
| | | | Norm | |

Katalog-Nr.:
Kunde:



external inputs
 File name: Biomat_SE_2022_800x800
 Job Number: AU-
 Project Nb.: PR-
 Article Nb.:
 Ser. Nb.:

Schrank Biomat SE
 Ass.Var:
 PCB-Item Nb.: 000000
 Blatt 13 von 23



| | | | | |
|----------------|------------|---------|-------|------------|
| Extern Signale | 14.09.2021 | zaffral | Datum | 14.09.2021 |
| Anderung | Datum | Name | Gepr. | zaffral |
| | | | Norm | |

Katalog-Nr.:
Kunde:

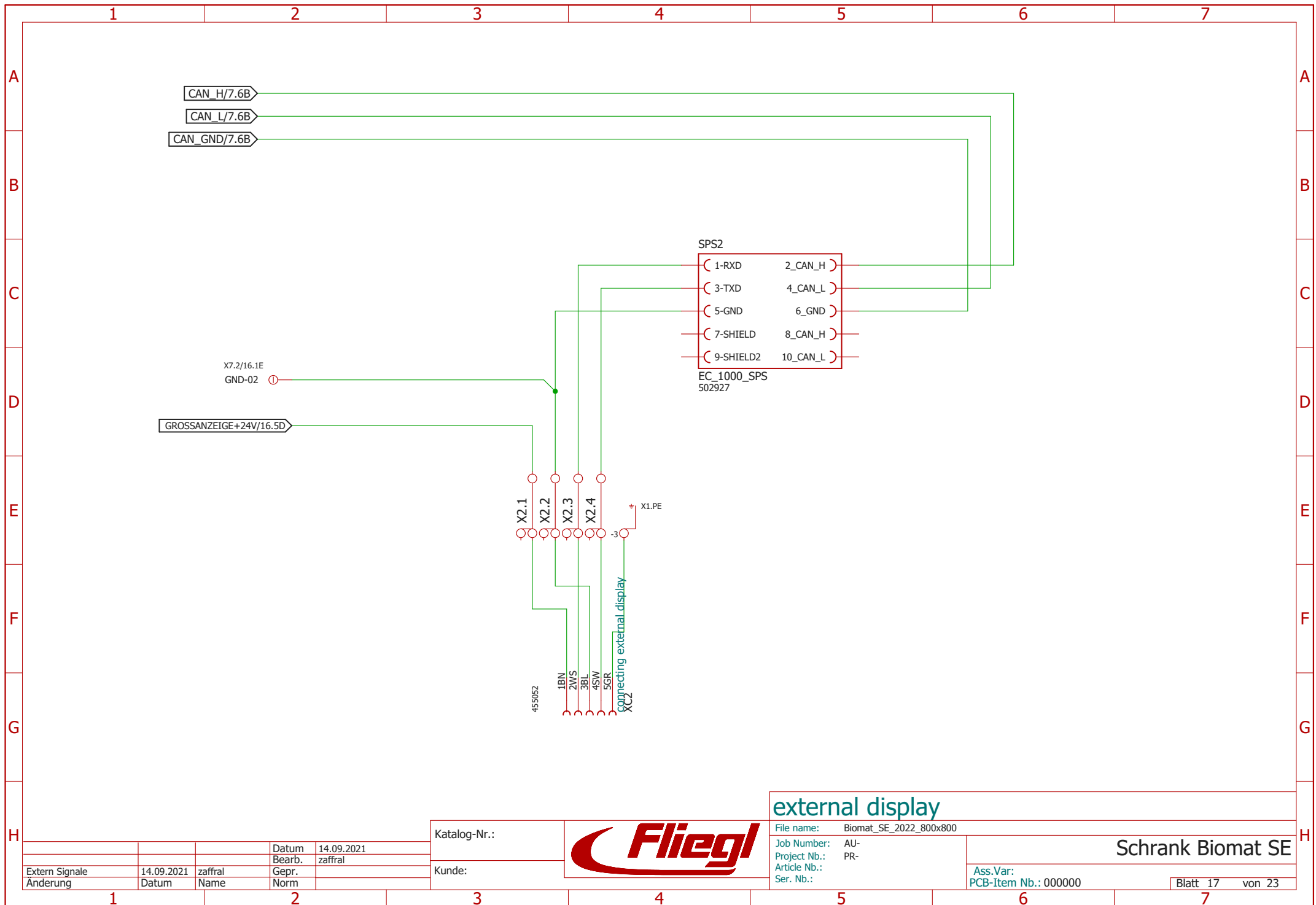


safety relay

File name: Biomat_SE_2022_800x800
 Job Number: AU-
 Project Nb.: PR-
 Article Nb.:
 Ser. Nb.:

Schrank Biomat SE

Ass.Var:
 PCB-Item Nb.: 000000



| | | | | |
|----------------|------------|---------|-------|------------|
| Extern Signale | 14.09.2021 | zaffral | Datum | 14.09.2021 |
| Anderung | Datum | Name | Gepr. | zaffral |
| | | | Norm | |

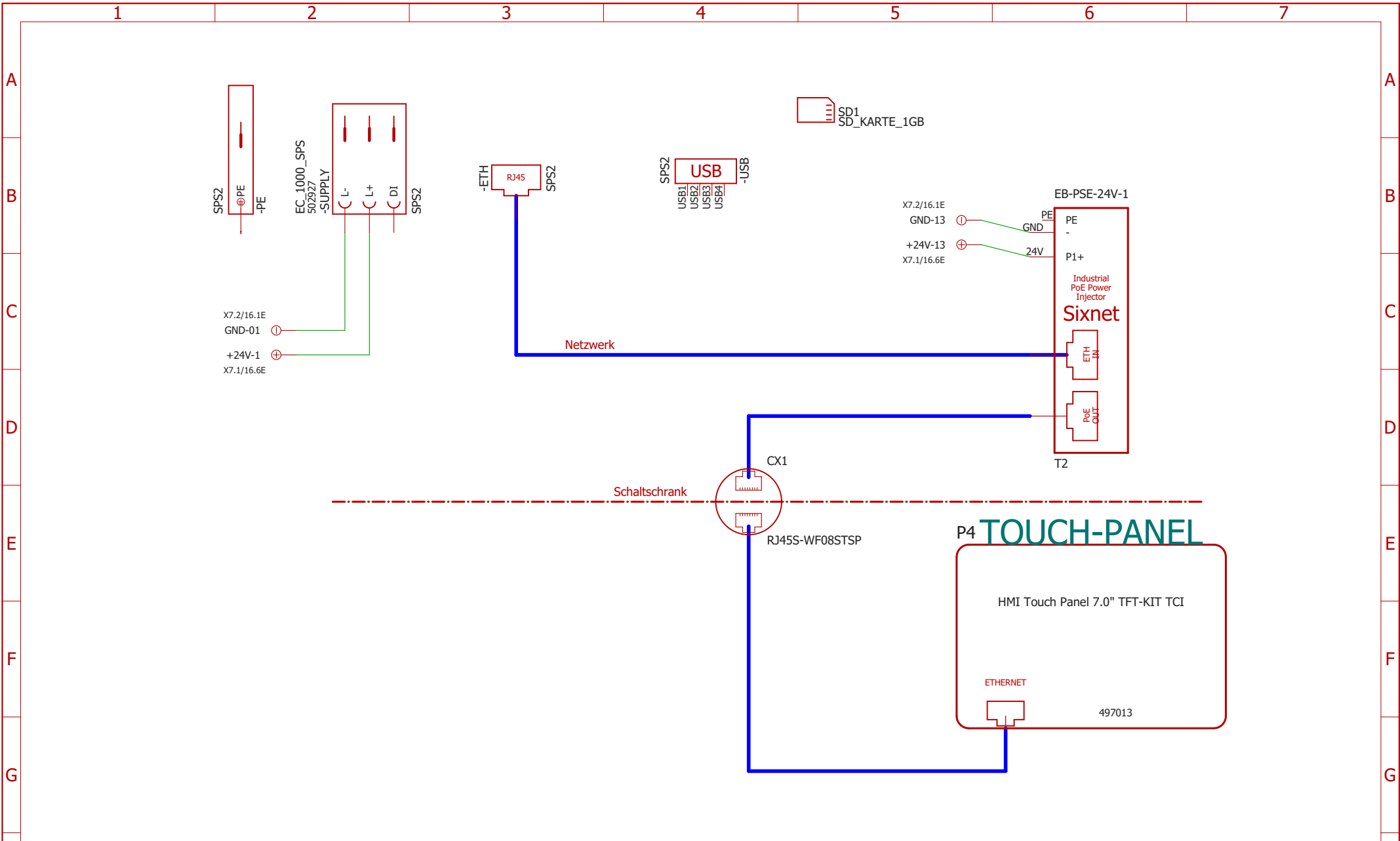
Katalog-Nr.:
Kunde:



external display

File name: Biomat_SE_2022_800x800
 Job Number: AU-
 Project Nb.: PR-
 Article Nb.:
 Ser. Nb.:

Schrank Biomat SE
 Ass.Var:
 PCB-Item Nb.: 000000
 Blatt 17 von 23



| | | | | |
|----------------|------------|---------|-------|------------|
| Extern Signale | 14.09.2021 | zaffral | Datum | 14.09.2021 |
| Anderung | Datum | Name | Gepr. | zaffral |
| | | | Norm | |

Katalog-Nr.:
Kunde:



touch panel
File name: Biomat_SE_2022_800x800
Job Number: AU-
Project Nb.: PR-
Article Nb.:
Ser. Nb.:

Schrank Biomat SE
Ass.Var:
PCB-Item Nb.: 000000
Blatt 19 von 23

| 1 | 2 | 3 | 4 | 5 | 6 | 7 |
|------|---------|--|---|---|---|---|
| Qty. | Article | Value | Part (s) | | | |
| 1 | 430522 | AUFKLEBER FLIEGL REFLEKTIERBAR 40X11 | AK1 | | | |
| 1 | 431533 | AUFKLEBER WARNING VOR ELEKTRO SPANNUNG | AK4 | | | |
| 1 | 437227 | MUTTER M32X1,5 | KVM2 | | | |
| 1 | 438536 | ANSCHLUSSBOCK | ASB1 | | | |
| 1 | 438777 | GV2G445 | XK1 | | | |
| 3 | 438813 | TS 35x15/LL 425mm | MECH2;MECH3;MECH4 | | | |
| 4 | 438815 | VERSCHRAUBUNG M25X1,5 | KV3;KV4;KV5;KV6 | | | |
| 4 | 438816 | VERSCHRAUBUNG M20X1,5 | KV7;KV10;KV11;KV13 | | | |
| 4 | 438843 | Clipfix 9,5mm | AH5;AH6;AH14;AH15 | | | |
| 1 | 438852 | L1, L2, L3, N, PE | ZB39 | | | |
| 26 | 438856 | 1 | ZB1;ZB2;ZB3;ZB4;ZB6;ZB7;ZB8;ZB9;ZB10;ZB11;ZB12;ZB13;ZB14;ZB15;ZB16; ZB17;ZB19;ZB20;ZB21;ZB23;ZB24;ZB25;ZB27;ZB28;ZB29;ZB31 | | | |
| 3 | 439080 | MUTTER M16x1,5 | KVM8;KVM9;KVM12 | | | |
| 4 | 439081 | MUTTER M20x1,5 | KVM7;KVM10;KVM11;KVM13 | | | |
| 1 | 439146 | H0 7V-K SCHWARZ-10QMM | DRAHT7 | | | |
| 1 | 439148 | H0 7V-K SCHWARZ-2,5QMM | DRAHT8 | | | |
| 1 | 439249 | GV2G245 | XK2 | | | |
| 3 | 439675 | 50A | FS1;FS2;FS3 | | | |
| 1 | 439703 | 2X10QMM L=14MM ROT | AEH6 | | | |
| 1 | 439708 | 1X10QMM L=12MM ROT | AEH4 | | | |
| 1 | 439709 | 1X2,5QMM L=8MM BLAU | AEH3 | | | |
| 1 | 439712 | 2X1QMM L=8MM ROT | AEH5 | | | |
| 1 | 439713 | 1X1QMM L=8MM ROT | AEH2 | | | |
| 1 | 439719 | 1X0,5QMM L=8MM WEISS | AEH1 | | | |
| 2 | 439740 | STOP-TASTE-RASTEND SCHWAMM (ROT) | MECH6;S3.2 | | | |
| 1 | 439768 | NOTHALT 2X OEFFNER MIT AUFKLEBER | S3 | | | |
| 3 | 439925 | USEN 18 N | F1;F2;F3 | | | |
| 1 | 440288 | XB5AP61 / BLAU | S2 | | | |
| 1 | 440289 | LED green | P1 | | | |
| 1 | 440290 | LED red | P2 | | | |
| 3 | 440452 | 50A | FHE1;FHE2;FHE3 | | | |
| 1 | 440561 | KUNSTSTOFFISOLIERROHR 29MM | ISOL1 | | | |
| 1 | 440562 | Rohrhalter 29mm | ROH1 | | | |
| 5 | 441040 | LUCA32 | Q2.2;Q3.2;Q4.2;Q5.2;Q6.2 | | | |
| 5 | 441043 | LUCA32 | Q2;Q3;Q4;Q5;Q6 | | | |
| 5 | 441044 | LUCA32 | Q2.1;Q3.1;Q4.1;Q5.1;Q6.1 | | | |
| 3 | 441279 | KLEMME UT 35 GR | L1;L2;L3 | | | |
| 1 | 441280 | UT 35 BU | N1 | | | |
| 1 | 441282 | UT 35-PE | PE1 | | | |

| | | | | | | | | | | |
|--|------------|---------|-------|--------------|--|--------------|-------------|-----------------------------------|--|-------------------|
| Stückliste erzeugt : 21.09.2021 14:32:25 | | | | Katalog-Nr.: |  | part list | | File name: Biomat_SE_2022_800x800 | | Schrank Biomat SE |
| Extern Signale | 14.09.2021 | zaffral | Datum | 14.09.2021 | | Kunde: | Job Number: | AU- | | |
| Anderung | Datum | Name | Gepr. | zaffral | | Project Nb.: | PR- | | | |
| 1 | 2 | 3 | 4 | 5 | 6 | 7 | Ass.Var: | PCB-Item Nb.: 000000 | | Blatt 21 von 23 |

| 1 | 2 | 3 | 4 | 5 | 6 | 7 |
|------|---------|----------------------------------|---|---|---|---|
| Qty. | Article | Value | Part (s) | | | |
| 4 | 441315 | MUTTER M25X1,5 | KVM3;KVM4;KVM5;KVM6 | | | |
| 32 | 441825 | UT 2,5-TWIN | X1.1;X1.2;X1.3;X1.4;X2.1;X2.2;X2.3;X2.4;X3.1;X3.2;X3.3;X3.4;X4.1;X4.2;X5.1;X5.2;X6-1;X6-2;X6-3;X6-4;X6-5;X6-6;X6-7;X6-8;X6-9;X6-10;X6-11;X6-12;X6-13;X6-14;X6-15;X9.1 | | | |
| 1 | 441826 | UT 2,5-TWIN BU | X9.2 | | | |
| 9 | 441827 | UT 2,5-TWIN-PE | X1.PE;X5.PE;X6-1.PE;X6-2.PE;X6-3.PE;X6-4.PE;X6-5.PE;X8.PE;X9.PE | | | |
| 12 | 441829 | D-UT 2,5/4-TWIN | DK3;DK4;DK5;DK6;DK7;DK8;DK9;DK10;DK11;DK12;DK13;DK14 | | | |
| 2 | 441835 | FBS 2-5 | SB1;SB2 | | | |
| 5 | 441980 | 11 | ZB32;ZB33;ZB35;ZB36;ZB37 | | | |
| 1 | 442141 | FLACHSTECKHUELSEN 0,5-1QMM | FSH1 | | | |
| 1 | 442248 | 60x25x720mm | VK1 | | | |
| 1 | 451109 | KABELVERSCHRAUBUNG M40X1,5 | KV1 | | | |
| 1 | 451240 | XB5 AD21 | S5 | | | |
| 2 | 451972 | AGK 4-UT | N-1 2;PE-1 2 | | | |
| 1 | 452045 | HKVM3201 | KV2 | | | |
| 1 | 452390 | 30W | E1 | | | |
| 1 | 452522 | NOTHALT 2X OEFFNER MIT AUFKLEBER | S3.1 | | | |
| 7 | 453816 | PE | ZB5;ZB18;ZB22;ZB26;ZB30;ZB34;ZB38 | | | |
| 1 | 455001 | RS485M12F | XC1 | | | |
| 3 | 455052 | M12F/5VORDERWAND | XC2;XC3;XC4 | | | |
| 4 | 455199 | CARRIER-EMP 22 | CR1;CR2;CR3;CR4 | | | |
| 1 | 455200 | KUNSTSTOFFSCHILDER AUS-EIN | KSE1 | | | |
| 1 | 456295 | KUNSTSTOFFSCHILDER STOERUNG | KSS2 | | | |
| 1 | 456296 | KUNSTSTOFFSCHILDER BETRIEB | KSB2 | | | |
| 1 | 456297 | KUNSTSTOFFSCHILDER RESET | KSR1 | | | |
| 1 | 457189 | H0 7V-K10 GELB/GRUEN-10QMM | DRAHT6 | | | |
| 3 | 457260 | VERSCHRAUBUNG M16X1,5 | KV8;KV9;KV12 | | | |
| 7 | 457621 | PLC-VT/LA | I1;I2;I3;I4;I5;I6;I7 | | | |
| 1 | 457649 | KONDENSATABLAUF | KA1 | | | |
| 1 | 457840 | H0 5V-K SCHWARZ-1QMM | DRAHT5 | | | |
| 1 | 457841 | H0 5V-K HELLBLAU-1QMM | DRAHT4 | | | |
| 1 | 457842 | H0 5V-K DUNKELBLAU | DRAHT1 | | | |
| 1 | 457843 | H0 5V-K ORANGE-1QMM | DRAHT9 | | | |
| 1 | 457845 | H0 5V-K GELB/GRUEN-1QMM | DRAHT3 | | | |
| 1 | 458006 | H0 5V-K DUNKELBLAU/WEISS | DRAHT2 | | | |
| 1 | 458193 | 1/4-433K2 | ANT1 | | | |
| 2 | 458210 | VERTEILERKLEMME 24V-A-XX- | X7.1;X7.2 | | | |
| 1 | 458211 | VERTEILERKLEMME ENDKAPPE | DK2 | | | |
| 1 | 458836 | UT 2,5-MT | X8.1 | | | |

| | | | | | | |
|--|------------|--------------|--|-----------------------------------|-----------------|-------------------|
| Stückliste erzeugt : 21.09.2021 14:32:25 | | Katalog-Nr.: |  | part list | | Schrank Biomat SE |
| Extern Signale | | Kunde: | | File name: Biomat_SE_2022_800x800 | Job Number: AU- | |
| Anderung | 14.09.2021 | zaffral | | Project Nb.: PR- | | |
| | Datum | Name | | Article Nb.: | | |
| | | Norm | | Ser. Nb.: | | Blatt 22 von 23 |

| Qty. | Article | Value | Part (s) |
|------|---------|---|---|
| 1 | 459125 | TEMP REG HEIZEN | S4 |
| 1 | 459126 | TEMP REG KUEHLEN | S1 |
| 1 | 459128 | LUEFTER-150X150-SEITE | LFT 1 |
| 1 | 459129 | FILTER 150X150MM-SEITE | MECH5 |
| 1 | 462554 | STOP-TASTE-GELB KREIS | MECH19 |
| 11 | 462661 | Clipfix 5mm | AH1;AH2;AH3;AH4;AH7;AH8;AH9;AH10;AH11;AH12;AH13 |
| 9 | 462703 | KLM 3-L | KT1;KT2;KT3;KT4;KT5;KT6;KT7;KT8;KT9 |
| 1 | 463192 | PRESSKABELSCHUH M8 | KSH1 |
| 1 | 463304 | FBST-500-PLC-BU/43mm | BR1 |
| 1 | 463509 | MUTTER M40X1,5 | KVM1 |
| 1 | 463705 | ZEPHYR | EMPF1 |
| 1 | 464736 | SD KARTE 1GB | SD1 |
| 1 | 468920 | AUFKLEBER ENDKONTROLLE KLEIN | AK3 |
| 1 | 471921 | AUFKLEBER KABELVERLEGUNG NICHT PARALLEL | AK2 |
| 2 | 479568 | LS-AMP 9473 | Y5;Y6 |
| 1 | 480470 | XPS-AC5121 | K1 |
| 1 | 485678 | 24V 5A | G1 |
| 1 | 489058 | EB-PSE-24V-1 | T2 |
| 1 | 492661 | I5MASAV000000S | MOD2 |
| 1 | 497013 | HMI Touch Panel 7.0" TFT-KIT TCI | P4 |
| 2 | 501507 | 6A Si.-Automat | F4;F5 |
| 1 | 502927 | EC 1000 SPS | SPS2 |
| 1 | 502928 | EC-COM 02 | SPS1 |
| 1 | 502929 | EC 1000 XR02 E | SPS4 |
| 1 | 502930 | EC 1000 XR01-E | SPS3 |
| 1 | 503091 | LENZE-I550 CONTROL-UNIT CANOPEN | MOD1 |
| 1 | 503874 | SCHALTSCHRANK 800X800X300 | SH1 |
| 1 | 507183 | EZAELN3050B591 | R1 |
| 1 | 507184 | LENZE-I550 22KW NEU | T1 |
| 1 | 519794 | PLC-ATP BK | DK1 |
| 1 | 520551 | SD-D/SC/LA/YE | Y1 |
| 1 | 520558 | GTF 76/48-3121025 | X8 |
| 1 | 520911 | CBMC E4 24DC/1-10A | G2 |
| 1 | 528158 | RJ45S-WF08STSP | CX1 |
| 1 | 528473 | VCF5 | Q1 |
| 7 | 533032 | PLC-RSC- 24DC/21 | D1;D2;D3;D4;D5;D6;D7 |

Stückliste erzeugt : 21.09.2021 14:32:25

| | | |
|----------------|------------|------------|
| | Datum | 14.09.2021 |
| | Bearb. | zaffral |
| Extern Signale | 14.09.2021 | zaffral |
| Anderung | Datum | Name |
| | | Gepr. |
| | | Norm |

Katalog-Nr.:



Kunde:

part list

File name: Biomat_SE_2022_800x800

Job Number: AU-

Project Nb.: PR-

Article Nb.:

Ser. Nb.:

Schrank Biomat SE

Ass.Var:
PCB-Item Nb.: 000000

Blatt 23 von 23